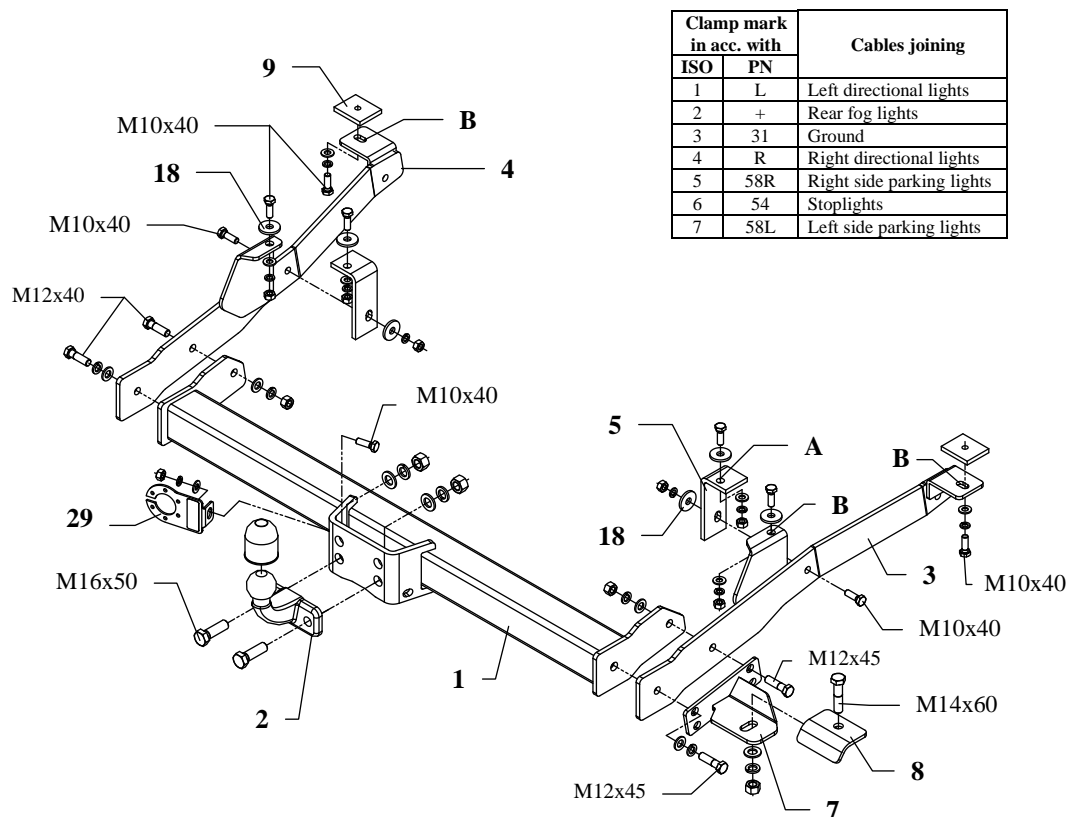


FITTING INSTRUCTION



This towing hitch is designed to assembly in following cars:
FIAT DUCATO, PEUGEOT BOXER, CITROEN JUMPER, 2WD and 4WD, metal build-up, loading platform, produced since 07.1999 till 06.2006, catalogue number **R24** and is prepared to tow trailers max total weight **2000 kg** and max vertical load **100 kg**.

From manufacturer

Thank you for buying our product. Their reliability has been confirmed in many tests. Reliability of towing hitch depends also on correct assembly and right operation. For this reasons we kindly ask to read carefully this instruction and apply to hints.

The towing hitch should be install in points described by a car producer.

The instruction of the assembly

1. Fix handles (pos. 5 and 6) from equipment to chassis through holes A using bolts M10x40mm (pos. 14). Use big washers (pos. 18).
2. Put to the chassis (over bearing spring) side brackets (pos. 3 and 4) and fix it using bolts M10x40mm (pos. 14) through holes B. In arrear use threaded, rectangular washers (pos. 9). Washers (pos. 9) put into tunnels of chassis.
3. Side brackets fix by bolts M10x40mm (pos. 14) with allready mounted handles (pos. 5 and 6).
4. Between mounted side brackets put main bar of the towing hitch (pos. 1) and fix using bolts M12x40mm (pos. 12) and bolts M12x45mm (pos. 11). NOTE! On the right side fix yoke (pos. 7) too
 - by upper holes for model **4WD**
 - by bottom holes for model **2WD**
5. Fix towing hitch to chassis through fish-plate (pos. 8) using bolt M14x60mm (pos. 10) from equipment as shown on the figure.
6. Fix the socket plate (pos. 29) as shown on the drawing using bolt M10x40mm (pos. 14) from the towing hitch accessories.
7. Fix tow-ball (pos. 2) using bolts M16x50mm (pos. 13) from equipment.
8. Fix tight all bolts according to the torque shown in the table.
9. Connect electric wires of 7-poles socket according to the instruction of the car. (Recommend to make at authorized service station)
10. Complete paint layer damaged during installation.

Torque settings for nuts and bolts (8,8):

| | | |
|--------------------|---------------------|---------------------|
| M6 - 11 Nm | M8 - 25 Nm | M10 - 50 Nm |
| M12 - 87 Nm | M14 - 138 Nm | M16 - 210 Nm |

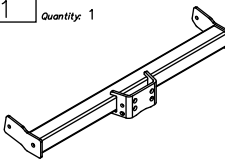
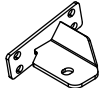





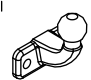



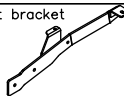



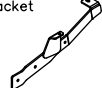
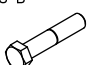


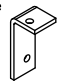
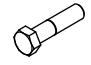



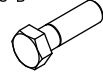



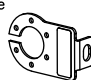
NOTE

After install the towing hitch you should get adequate note in registration book (at authorised service station).The car should be equipped with:

- Indicators
- Tow mirrors

After 1000km check all bolts and nuts. The ball of towing hitch must be always kept clear and conserve with a grease.

Towing hitch equipment:

| | | | |
|---|---|--|--|
| Pos. 1 Name: Main bar Quantity: 1  | Pos. 7 Name: Yoke Quantity: 1  | Pos. 14 Name: Bolt 8,8 B Quantity: 9 Dim.: M10x40mm  | Pos. 22 Name: Spring washer Quantity: 1 Dim.: Ø 14 mm  |
| | Pos. 8 Name: Fish-plate Quantity: 1  | Pos. 15 Name: Nut 8 B Quantity: 1 Dim.: M14  | Pos. 23 Name: Spring washer Quantity: 4 Dim.: Ø 12 mm  |
| Pos. 2 Name: Tow ball Quantity: 1  | Pos. 9 Name: Rectangular washer Quantity: 2 Dim.: 60x50x8  | Pos. 16 Name: Nut 8 B Quantity: 2 Dim.: M12  | Pos. 24 Name: Spring washer Quantity: 9 Dim.: Ø 10 mm  |
| Pos. 3 Name: Right bracket Quantity: 1  | Pos. 10 Name: Bolt 8,8 B Quantity: 1 Dim.: M14x60mm  | Pos. 17 Name: Nut 8 B Quantity: 7 Dim.: M10  | Pos. 25 Name: Ball cover Quantity: 1  |
| Pos. 4 Name: Left bracket Quantity: 1  | Pos. 11 Name: Bolt 8,8 B Quantity: 2 Dim.: M12x45mm  | Pos. 18 Name: Washer Quantity: 6 Dim.: Ø35xØ12x4mm  | Pos. 26 Name: Nut 8 B Quantity: 2 Dim.: M16  |
| Pos. 5 Name: Right handle Quantity: 1  | Pos. 12 Name: Bolt 8,8 B Quantity: 2 Dim.: M12x40mm  | Pos. 19 Name: Plain washer Quantity: 1 Dim.: Ø 14 mm  | Pos. 27 Name: Plain washer Quantity: 2 Dim.: Ø 16 mm  |
| Pos. 6 Name: Left handle Quantity: 1  | Pos. 13 Name: Bolt 8,8 B Quantity: 2 Dim.: M16x50mm  | Pos. 20 Name: Plain washer Quantity: 4 Dim.: Ø 12 mm  | Pos. 28 Name: Spring washer Quantity: 2 Dim.: Ø 16 mm  |
| | Pos. 21 Name: Plain washer Quantity: 7 Dim.: Ø 10 mm  | Pos. 29 Name: Socket plate SZTUK: 1  | |



PPUH AUTO-HAK S.J.

Produkcja Haków Holowniczych
Henryk & Zbigniew Nejman
76-200 SŁUPSK ul. Słoneczna 16K
tel/fax (059) 8-414-414; 8-414-413
E-mail: office@autohak.com.pl
www. autohak.com.pl

Towing hitch (without electrical set)

Class: **A50-X** Cat. no. **R24**

Designed for:

FIAT DUCATO,
PEUGEOT BOXER
CITROEN JUMPER

Type: **2WD and 4WD, metal build-up, loading platform**

produced since 07.1999 till 06.2006

Approval number acc. to regulations EKG/ONZ 55.01: **E20-55R-01 1026**

Technical data:

D-value: 12,48 kN

maximum trailer weight: **2000 kg**

maximum vertical cup load: **100 kg**

Foreword

This towing hitch is designed according to rules of safety traffic regulations. The towing hitch is a safety component and can be install only by qualified personnel. Any alteration or conversion of the towing hitch is prohibited and would lead to cancellation of design certification. Remove insulating compound and underseal from vehicle (if present) in the area of the matting surfaces of the towing hitch. The vehicle manufacturer's specifications regarding trailer load and max. vertical cup load are decisive for driving whereat values for the towing hitch cannot be exceeded.

D-value formula:

$$\frac{\text{Max trailer weight [kg]} \times \text{Max vehicle weight [kg]}}{\text{Max trailer weight [kg]} + \text{Max vehicle weight [kg]}} \times \frac{9,81}{1000} = D \text{ [kN]}$$



ahkupplungen.de