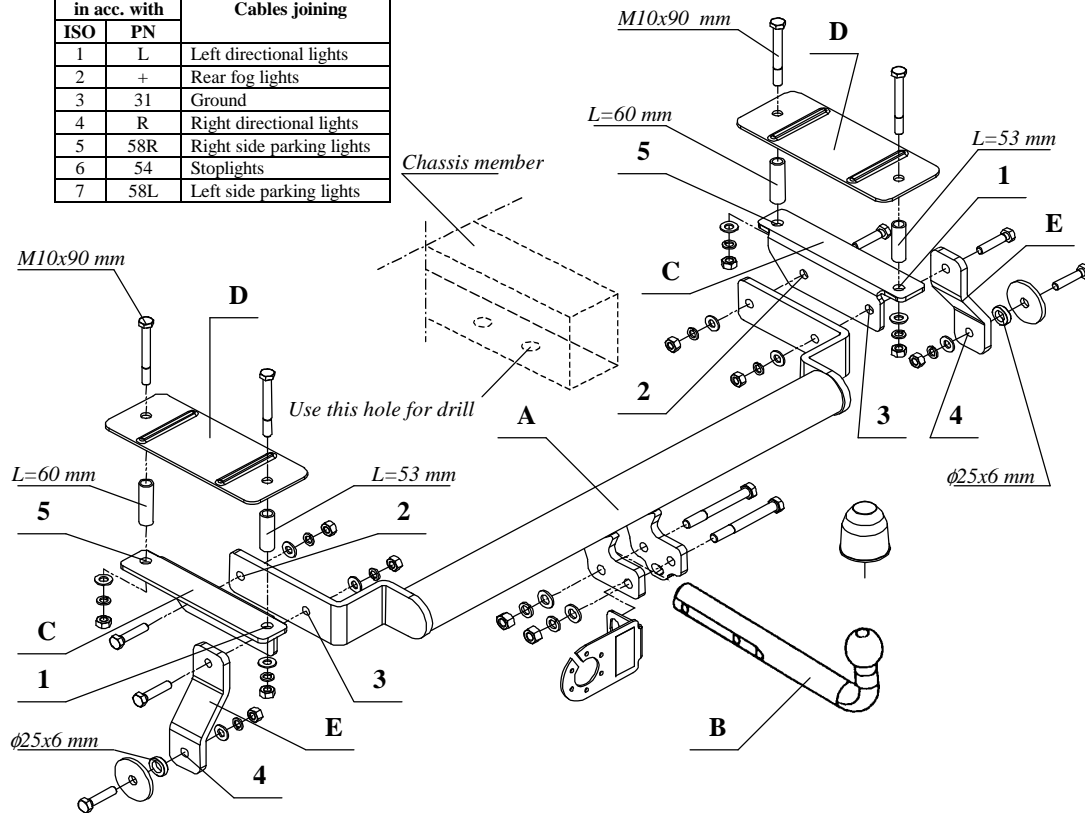


FITTING INSTRUCTION

Clamp mark in acc. with		Cables joining
ISO	PN	
1	L	Left directional lights
2	+	Rear fog lights
3	31	Ground
4	R	Right directional lights
5	58R	Right side parking lights
6	54	Stoplights
7	58L	Left side parking lights



This towing hitch is designed to assembly in following car:

CITROEN XM, produced since 1989 till 2000, catalogue no. **P07** and is prepared to tow trailers max total weight **1800 kg** and max vertical mass **80 kg**.

From manufacturer

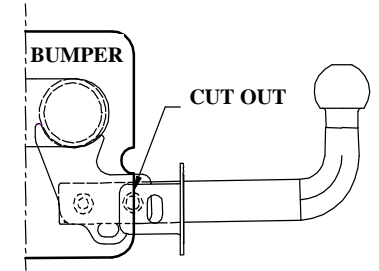
Thank you for buying our product. Their reliability has been confirmed in many tests. Reliability of towing hitch depends also on correct assembly and right operation. For this reasons we kindly ask to read carefully this instruction and apply to hints.

The towing hitch should be install in points described by a car producer.

The instruction of the assembly

1. In chassis members on the left and right side drill holes to trunk through original hole (see drawing). Next inside trunk enlarge it using bit $\phi 17,5\text{mm}$. Put in distance sleeves $L=53\text{mm}$ (see drawing) and put on fish-plates from equipment (pos. D).

2. Angle brackets (pos. C) fix through hole pos. 1 and installed distance sleeves to the chassis members using bolts $M10 \times 90\text{mm}$. Fix loosely.



3. In axis of the bumper cut out it's fragment dimension: width 70 mm and depth as necessary according to figure beside.

4. To the chassis of car put main bar of the towbar (pos. A) and through holes pos. 2 and 3 fix with already mounted side brackets (pos. C) using bolts $M10 \times 45\text{mm}$.

NOTE! Through hole pos. 3 fix element pos. E too.

5. In original hole of tow eye put distance sleeve $\phi 25 \times 6\text{mm}$ and fix through hole (pos. 4) with element pos. C using bit $M10 \times 45\text{mm}$ from equipment.

6. Inside trunk bend side fish-plates pos. D and underneath a car through hole pos. 5 of angle brackets drill holes inside trunk using bit $\phi 11\text{mm}$.

7. Inside trunk enlarge made holes by bit $\phi 17,5\text{mm}$. Put in distance sleeves $L=60\text{mm}$, next position fish-plates pos. D and fix using bolts $M10 \times 90\text{mm}$ from towbar equipment.

8. Tighten all bolts according to the torque shown in the table.

9. Fix tow ball (pos. B) together with socket plate using bolts $M12 \times 75\text{mm}$ from equipment.

10. Connect electric wires of 7-poles socket according to the instruction of the car. (Recommend to make at authorized service station).

11. Complete paint layer damaged during installation.

Torque settings for nuts and bolts (8,8):

M 8 - 25 Nm **M 10** - 55 Nm

M 12 - 85 Nm **M 14** - 135 Nm

NOTE

After install the towing hitch you should get adequate note in registration book (at authorised service station). The car should be equipped with:

- Indicators
- Tow mirrors

After 1000km check all bolts and nuts. The ball of towing hitch must be always kept clear and conserve with a grease.



PPUH AUTO-HAK S.J.

Produkcja Zaczepów Kulowych
Henryk & Zbigniew Nejman
76-200 SŁUPSK ul. Słoneczna 16K
tel/fax (059) 8-414-414; 8-414-413
E-mail: office@autohak.com.pl
www.autohak.com.pl

Towing hitch (without electrical set)

Class: **A50-X** Cat. no. **P07**

Designed for:

Manufacturer: **CITROEN**

Model: **XM**

produced since 1989 till 2000

Technical data:

D-value: 8,82 kN

maximum trailer weight: **1800 kg**

maximum vertical cup mass: **80 kg**

Approval number according to Directive 94/20/EC: e20*94/20*0607*00

Foreword

This towing hitch is designed according to rules of safety traffic regulations. The towing hitch is a safety component and can be install only by qualified personnel. Any alteration or conversion of the towing hitch is prohibited and would lead to cancellation of design certification. Remove insulating compound and underseal from vehicle (if present) in the areas of the matting surfaces of the towing hitch. The vehicle manufacturer's specifications regarding trailer load and max. vertical cup mass are decisive for driving whereat values for the towing hitch cannot be exceeded.

D-value formula:

$$\frac{\text{Max trailer weight [kg]} \times \text{Max vehicle weight [kg]}}{\text{Max trailer weight [kg]} + \text{Max vehicle weight [kg]}} \times \frac{9,81}{1000} = D \text{ [kN]}$$



ahkupplungen.de