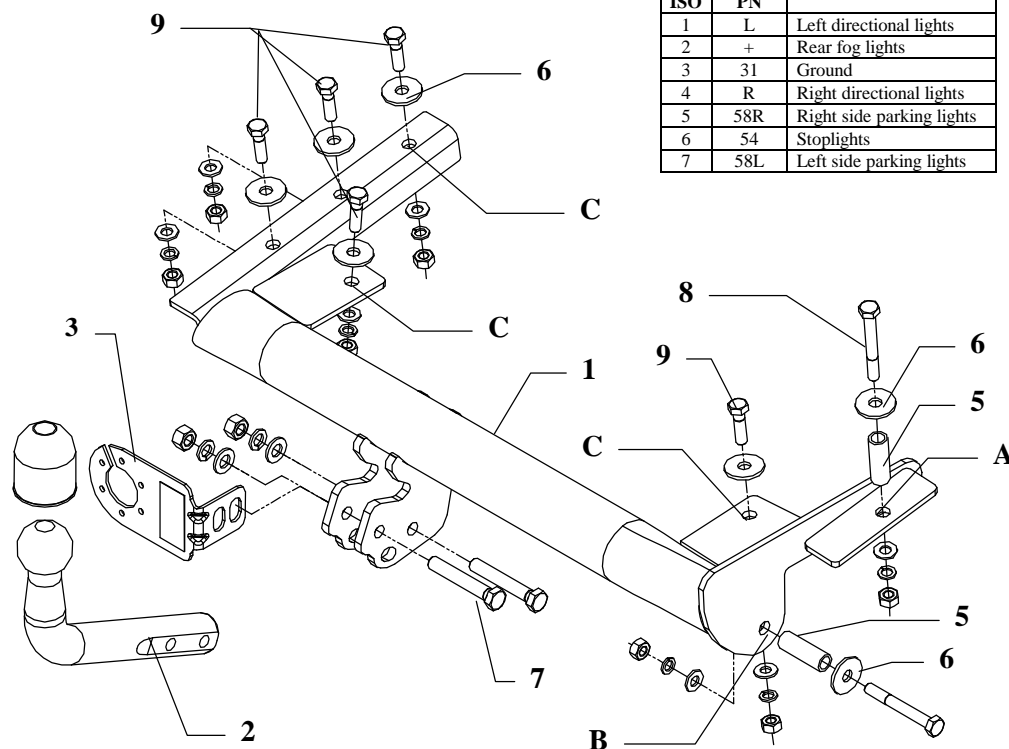


## FITTING INSTRUCTION

Clamp mark in acc. with		Cables joining
ISO	PN	
1	L	Left directional lights
2	+	Rear fog lights
3	31	Ground
4	R	Right directional lights
5	58R	Right side parking lights
6	54	Stoplights
7	58L	Left side parking lights



This towbar is designed to assembly in following car:  
**SKODA FAVORIT 5 door**, produced since 1989 till 1994, catalogue no.  
**H03** and is prepared to tow trailers max total weight up to **900 kg** and max  
 vertical mass **50 kg**.

### *From manufacturer*

Thank you for buying our product. Their reliability has been confirmed in many tests. Reliability of towbar depends also on correct assembly and right operation. For this reasons we kindly ask to read carefully this instruction and apply to hints.

*The towbar should be install in points described by a car producer.*

## The instruction of the assembly

1. Put main bar of towbar (pos. 1) from below the car.
2. On the right side, through hole (pos. B) and original hole in tow eye put distance sleeve (pos. 5) and fix with bolt M10x80mm (pos. 8), use big plain washer  $\varnothing 35 \times 12 \times 5$ mm (pos. 6).
3. From below the car, through hole (pos. A) drill hole inside the trunk using bit  $\varnothing 11$ mm. From trunk side drill this hole using bit  $\varnothing 17$ mm (only from the inside). To made hole slip second distance sleeve and fix with bolt M10x80mm (pos. 8) in according to drawing, remember about big plain washers (pos. 6) from the inside.
4. Through holes (pos. C) drill holes inside the trunk (bit  $\varnothing 11$ mm). Next screw using bolts M10x40mm (pos. 9) acc. to drawing, remember about big plain washers (pos. 6) from the inside.
5. With in this way mounted towbar screw tow-ball (pos. 2) using bolts M12x75mm (pos. 7) together with socket plate (pos. 3).
6. Tighten all bolts according to the torque shown in the table.
7. Connect electric wires of 7-poles socket according to the instruction of the car. (Recommend to make at authorized service station)
8. Complete paint layer damaged during installation.

Torque settings for nuts and bolts (8,8):	
<b>M 8</b> - 25 Nm	<b>M 10</b> - 55 Nm
<b>M 12</b> - 85 Nm	<b>M 14</b> - 135 Nm

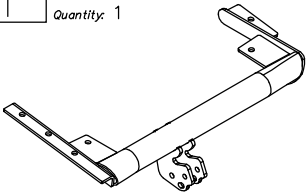
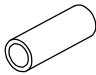

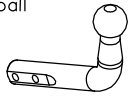


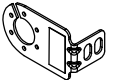
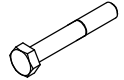

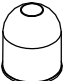
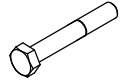

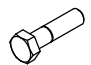


### NOTE

After install the towbar you should get adequate note in registration book (at authorised service station).The car should be equipped with:

- Indicators
- Tow mirrors

After 1000km check all bolts and nuts. The ball of towbar must be always kept clear and conserve with a grease.

## Towbar accessories:

Pos. 1 Name: Main bar Quantity: 1	Pos. 5 Name: Distance sleeve Quantity: 2	Pos. 10 Name: Nut 8 B Quantity: 2 Dim.: M12
		
Pos. 2 Name: Tow ball Quantity: 1	Pos. 6 Name: Washer Quantity: 7 Dim.: Ø35xØ12x5mm	Pos. 11 Name: Nut 8 B Quantity: 7 Dim.: M10
		
Pos. 3 Name: Socket plate Quantity: 1	Pos. 7 Name: Bolt 8,8 B Quantity: 2 Dim.: M12x75mm	Pos. 12 Name: Plain washer Quantity: 2 Dim.: Ø 13 mm
		
Pos. 4 Name: Ball cover Quantity: 1	Pos. 8 Name: Bolt 8,8 B Quantity: 2 Dim.: M10x80mm	Pos. 13 Name: Plain washer Quantity: 7 Dim.: Ø 10,5 mm
		
	Pos. 9 Name: Bolt 8,8 B Quantity: 5 Dim.: M10x40mm	Pos. 14 Name: Spring washer Quantity: 2 Dim.: Ø 12,2 mm
		
		Pos. 15 Name: Spring washer Quantity: 7 Dim.: Ø 10,2 mm
		



## PPUH AUTO-HAK S.J.

Produkcja Haków Holowniczych  
Henryk & Zbigniew Nejman  
76-200 SŁUPSK ul. Słoneczna 16K  
tel/fax (059) 8-414-414; 8-414-413  
e-mail: [office@autohak.com.pl](mailto:office@autohak.com.pl)  
[www.autohak.com.pl](http://www.autohak.com.pl)

## Towing hitch (without electrical set)

Class: **A50-X** Cat. no. **H03**

Designed for:

Manufacturer: **SKODA**

Model: **FAVORIT**

Type: **5 doors**

produced since 1989 till 1994

Technical data:

**D-value: 5,9 kN**

maximum trailer weight: **900 kg**

maximum vertical cup mass: **50 kg**

Approval number acc. to regulations EKG/ONZ 55.01: **E20-55R-01 0936**

## Foreword

This towbar is designed according to rules of safety traffic regulations. The towing hitch is a safety component and can be install only by qualified personnel. Any alteration or conversion of the towing hitch is prohibited and would lead to cancellation of design certification. Remove insulating compound and underseal from vehicle (if present) in the area of the matting surfaces of the towing hitch. The vehicle manufacturer's specifications regarding trailer load and max. vertical cup load are decisive for driving, and values for the towing hitch cannot be exceeded.

*D-value formula:*

$$\frac{\text{Max trailer weight [kg]} \times \text{Max vehicle weight [kg]}}{\text{Max trailer weight [kg]} + \text{Max vehicle weight [kg]}} \times \frac{9,81}{1000} = D \text{ [kN]}$$



[ahkupplungen.de](http://ahkupplungen.de)